

PR LED 450 ZN CW DMX

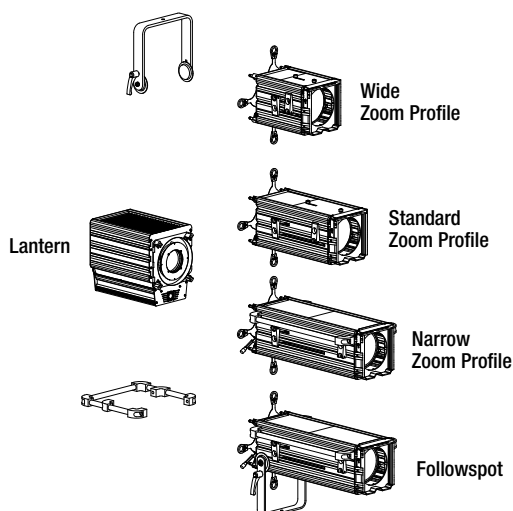
High efficiency, Long Lasting 450W LED Profile Spot
Zoom from 8° to 19°



PR LED 450 ZN CW DMX

The light output of this fixture is equivalent to one of a 2000-2500W halogen lamp but with a life of 30.000 hours and the use of only of 450W.

Modular lantern accepting different front zoom optics up to 44° beam spread



TECHNICAL SPECIFICATIONS



ENTERTAINMENT



ARCHITECTURAL



GREENLINE

- | | |
|---|---|
| <input type="checkbox"/> Halogen, Mains | <input checked="" type="checkbox"/> LED White |
| <input type="checkbox"/> Halogen, Low Voltage | <input type="checkbox"/> LED Tunable White |
| <input type="checkbox"/> Discharge | <input type="checkbox"/> LED RGB |
| | <input type="checkbox"/> LED RGBW |

All the world is a stage.

PR LED 450 ZN CW DMX



Low installation cost:

- ✓ smaller general power boards and size on the mains lines
- ✓ no external dimmers. The fixture is directly dimmable through local control panel or through external DMX
- ✓ no dedicated power lines: just one line can power several units thanks also to "in and out" Powercon connectors

Low maintenance costs:

- ✓ smaller energy bill
- ✓ no costs for lamp purchase and replacement
- ✓ longer life of colour filters

MASTER / SLAVE:

All the fixtures can be configured as "master" or "slave". In the slave configuration the slave unit copies exactly what the "master fixture" is doing with the further option:

In the DMX configuration the slave fixture can take the same channel and function of the master or, alternatively it can accept the next free DMX channels after the master

Controls

✓ LOCAL CONTROL:

For simple installations it is possible to use the push buttons built in system and display to select colours, intensity, etc. and for the playback of factory preloaded effects as well as custom cues.

✓ DMX with RDM:

for the most common applications with the possibility of using 8 or 16 bit definition for a higher smooth control, especially from the lowest levels of intensity.

RDM facility for faster configuration of the devices, and to get back from the fixture info as DMX address, temperature, kind of set up etc

✓ ETHERNET (optional):

for large installations with more than one DMX universe, bi-directional communications, and with the possibility of using ProfiLED as "Ethernet to DMX converter" for other fixtures.

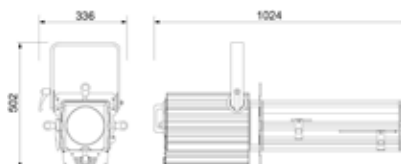
ACCESSORIES

- Adjustable gobo holder for glass and metal patterns
- Hook clamps for 30-50 mm. trusses
- Safety rope with spring hook

ELECTRICAL SPECIFICATIONS

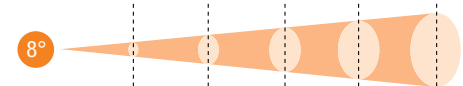
500W, 100-240V, 50/60Hz

DIMENSIONS (mm)



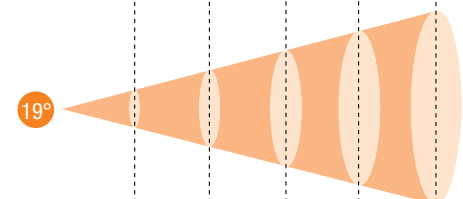
PHOTOMETRIC DATA (★)

Lux	14.928	3.732	1.659	933	597
∅ (m)	0,7	1,5	2,2	2,9	3,7



Dist. (m)	5	10	15	20	25
-----------	---	----	----	----	----

Lux	5.892	1.473	655	368	236
∅ (m)	1,7	3,3	5,0	6,7	8,4



Dist. (m)	5	10	15	20	25
-----------	---	----	----	----	----

(★) (performance according to LED available on July 2016)