

THE  
MINI  
RANGE

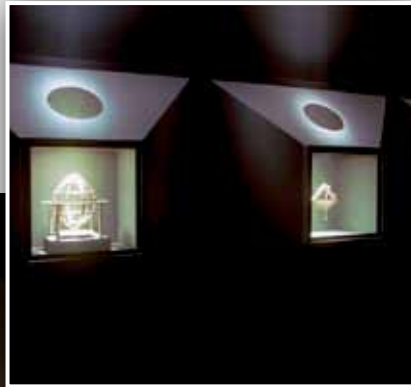


The quality of light, the compact and the unique technological design of the Mini range allow lighting designers to express their creativity to the full by picking out details, creating soft shades, giving depth, contrast and chromatic atmosphere that would be impossible to obtain with more traditional architectural fixtures.

The main models include: miniFresnel, miniPC, miniProfile, miniProfile zoom, miniPAR and miniLED. Each model is manufactured in different versions, depending on your choice of lamp.



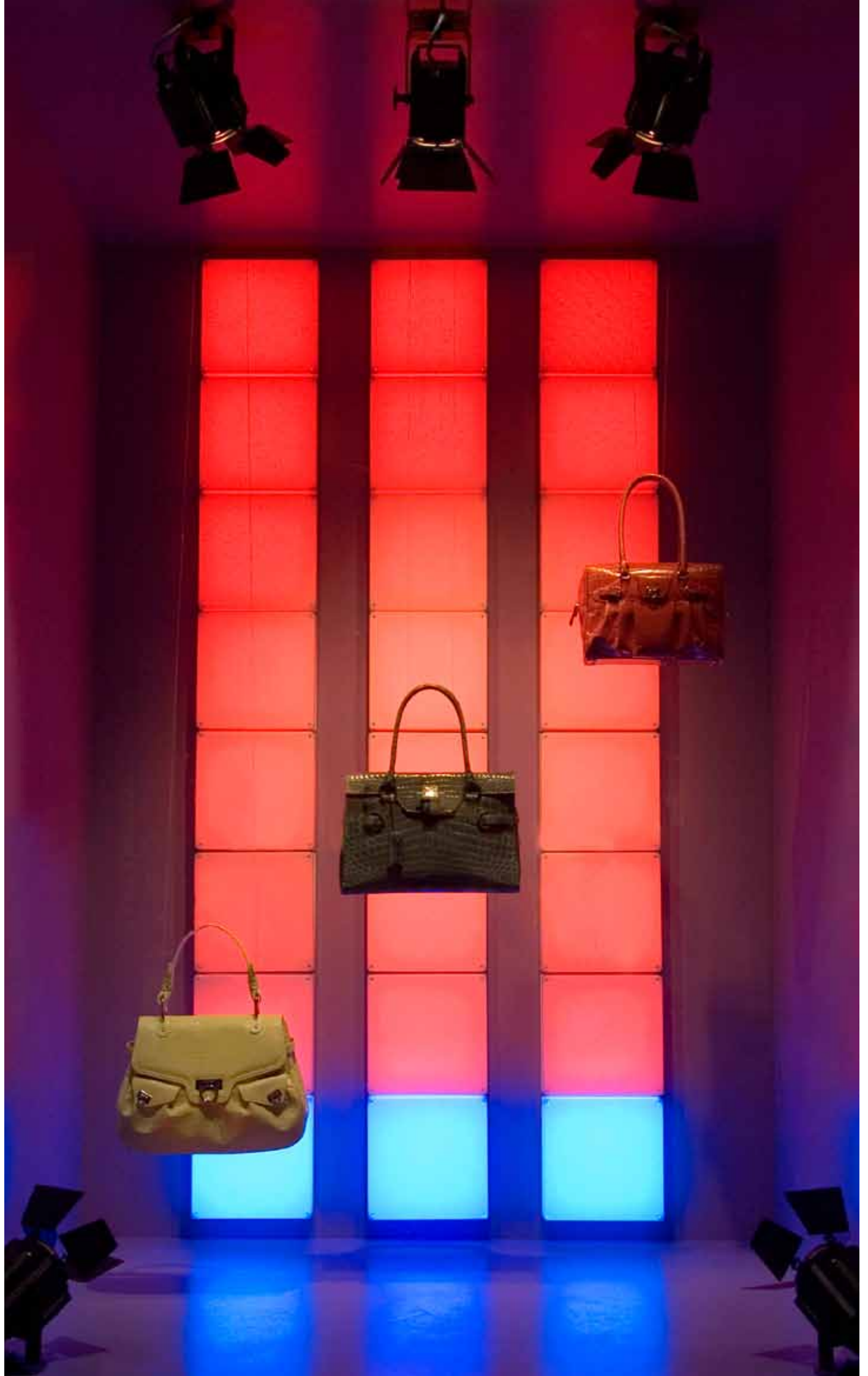
# THE MINI RANGE



Spotlight has always paid attention to the efficiency of its luminaires and now gathers in a special family, called "GREEN LINE", all those LED fixtures that are characterized both by high optical performances and by the real contribution in terms of energy saving, achieved thanks to a specific use of the LED and to the application of "clean technologies" in the luminaires' production.

In particular:

- Greater lighting efficiency with energy saving and lower heat emission
- Long life of the LED source, with lower maintenance costs and waste generation
- Clean light source (no mercury or radioactive components in the LED)
- Almost no generation of dangerous infrared and ultraviolet, to the benefit of the lit up people and objects



# VERSIONS AND LAMPS

## MINI NO:

MI FN NO  
MI PC NO  
MI PR NO  
MI PR ZS NO

Product code	M 38	CP 81	CP 82 (*)
Power (W)	300	300	500
Beam angle (Degr°)	n.a.	n.a.	n.a.
Lampholder base	GY 9.5	GY 9.5	GY 9.5
Luminous flux (Lm)	5.200	7.800	13.500
Avg. rated life (hh)	2.000	180	180
Colour Temperature (°K)	2.950	3.200	3.200
Colour rendering index (Ra)	n.a.	n.a.	n.a.

(\*) non-continuous use

## MINI LW:

MI FN LW  
MI FN LW/CT  
MI PC LW  
MI PC LW/CT  
MI PR LW  
MI PR LW/CT  
MI PR ZS LW  
MI PR ZS LW/CT

Product code	A1 216	A1 223 (*)	JC 20H
Power (W)	150	250	150
Beam angle (Degr°)	n.a.	n.a.	n.a.
Lampholder base	G 6.35	G 6.35	G 6.35
Luminous flux (Lm)	5.200	10.000	3.000
Avg. rated life (hh)	50	50	2.000
Colour Temperature (°K)	3.400	3.400	3.000
Colour rendering index (Ra)	n.a.	n.a.	n.a.

(\*) non-continuous use

## MINI MC:

MI FN MC  
MI FN MC/SBA  
MI PC MC  
MI PC MC/SBA  
MI PR MC  
MI PR MC/SBA  
MI PR ZS MC  
MI PR ZS MC/SBA

Product code	CDM T 150/830	CDM SA/T	CDM T 150/942
Power (W)	150	150	150
Beam angle (Degr°)	n.a.	n.a.	n.a.
Lampholder base	G 12	G 12	G 12
Luminous flux (Lm)	14.000	12.900	12.700
Avg. rated life (hh)	6.000	9.000	6.000
Colour Temperature (°K)	3.000	4.200	4.200
Colour rendering index (Ra)	85	96	96

## MINI MC:

MI FN MC  
MI FN MC/SBA  
MI PC MC  
MI PC MC/SBA  
MI PR MC  
MI PR MC/SBA  
MI PR ZS MC  
MI PR ZS MC/SBA

Product code	HSD 150 W/70	HSD 150 W/UL/75	
Power (W)	150	150	-
Beam angle (Degr°)	n.a.	n.a.	-
Lampholder base	G 12	G 12	-
Luminous flux (Lm)	12.000	11.000	-
Avg. rated life (hh)	3.000	6.000	-
Colour Temperature (°K)	7.000	7.000	-
Colour rendering index (Ra)	85	85	-

## MINI ME:

MI FN ME  
MI FN ME/SBA  
MI PC ME  
MI PC ME/SBA  
MI PR ME  
MI PR ME/SBA  
MI PR ZS ME  
MI PR ZS ME/SBA

Product code	MSR 200	MSD 200	MSD 250
Power (W)	200	200	250
Beam angle (Degr°)	n.a.	n.a.	n.a.
Lampholder base	GY 9.5	GY 9.5	GY 9.5
Luminous flux (Lm)	15.000	13.500	18.000
Avg. rated life (hh)	200	2.000	2.000
Colour Temperature (°K)	5.600	6.000	6.700
Colour rendering index (Ra)	92	80	80

# MINI PROFILE ARCHITECTURAL CONDENSER OPTICS PROFILE SPOTS

The miniProfile spot projects a circular beam of light, with variable sharp or soft edges, that can be shaped through of the four adjustable shutters or the appropriate metal or glass template (Gobos). The size of the projected beam is fixed but can be varied by using objective lenses of different focal length. The most typical application for the Profile is for “accent” lighting, where the object to be lit can be highlighted sharply in contrast to its surroundings, such as when lighting the surface of a painting or a sign. Another application of the miniProfile is as an actual image projector. By

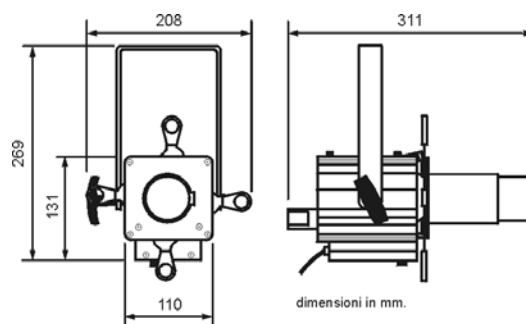
using Gobos it is possible to project patterns, logos or shapes, both in black and white or colours. These features make the miniProfile ideally suited for use in retail environments, banks, hotels or exhibitions, where the use of this fixture provides an easy and adaptable way to advertise and communicate information to the public. A wide range of Gobos are readily available, in both standard library stock or with custom designs. To select the most suitable lamp for particular applications, please see page “versions and lamps”.



- MI PR NO halogen** - 230 V
- MI PR LW halogen** - low voltage, for external transformer
- MI PR MC/SBA mastercolour** - for external ballast
- MI PR ME/SBA MSD/MSR** - for external ballast

 Special coating in any color of the RAL range

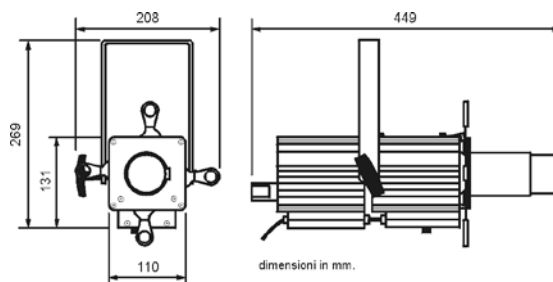
MI PR NO - MI PR LW - MI PR MC/SBA - MI PR ME/SBA  
 Net weight Kg 2.1 - Gross weight Kg 2.5 - Box volume m<sup>3</sup> 0.013



- MI PR LW/CT halogen** - 150 W, 24 V with built-in transformer
- MI PR MC mastercolour** - 150 W with built-in ballast
- MI PR ME MSD/MSR** - 200/250 with built-in ballast

 Special coating in any color of the RAL range

MI PR LW/CT Net weight Kg 6.0 - Gross weight Kg 6.5 - Box volume m<sup>3</sup> 0.019  
 MI PR MC Net weight Kg 4.9 - Gross weight Kg 5.4 - Box volume m<sup>3</sup> 0.019  
 MI PR ME Net weight Kg 6.3 - Gross weight Kg 6.8 - Box volume m<sup>3</sup> 0.019



# TECHNICAL FEATURES

- Standard objective 20° included
- Optional objectives 40° and 8°
- Condenser optic system
- M size gobo holder
- Extruded aluminium and steel housing
- 4 removable and adjustable shaping shutters
- Yoke with 10 mm diameter hole, reversible for use in any position
- Heat insulated knobs and handles
- Easy focus adjustment by sliding knob
- Anti scratch Epoxy resin paint (standard black)
- 1.5 m power supply cable (plug available on request)
- Standard 230 V or 24 V power supply (others on request)
- Strain relief cable clamp
- Access for lamp maintenance via removable top cover
- reflector of 99.99% polished and treated aluminium
- Compliant to CE EN 60598-2

## Information for ordering accessories and different versions

### Item

• miniProfile halogen 300 W, 230 V	MI PR NO
• miniProfile halogen 150 W, 24 V (with built-in transformer 230 V)	MI PR LW/CT
• miniProfile halogen low voltage for external transformer	MI PR LW
• miniProfile Mastercolour 150 W, 230 V	MI PR MC
• miniProfile Mastercolour 150 W for external ballast	MI PR MC/SBA
• miniProfile MSD/MSR 200/250 W, 230 V	MI PR ME
• miniProfile MSD/MSR 200/250 W for external ballast	MI PR ME/SBA

### Accessories

• Colour filter frame	TMG
• Frame holder	PTG
• M size gobo holder	PGM MINI
• Motorized colour wheel	RMG
• Hook for mini trusses	MINI GAC
• Wide objective 40°	O/MINI 40
• Narrow objective 8°	O/MINI 08
• Floor/wall mounting base	BASE-Q122-AS
• External transformer 150 W 24 V for MI PR LW	TR ES 150/24
• External electronic ballast for MI PR MC/SBA	BE ES MC 150
• External electronic ballast for MI PR ME/SBA	BE ES ME 250

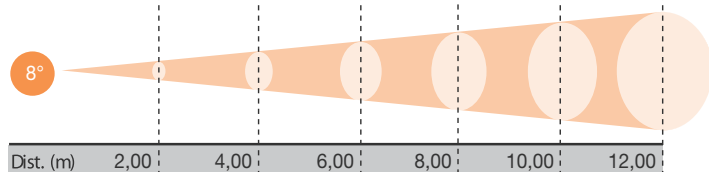
### Options

• 100-120 V mains voltage	on request
• Non standard paint finish	on request
• Mounting on mains voltage tracks	on request

### Standard objective

NO-CP 81 / LW-A1 216 / MC CDM SA/T / ME MSD 250

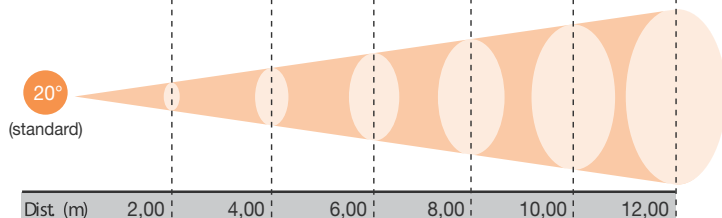
Lux	35.075	8.769	3.897	2.192	1.403	974
Lux	28.000	7.000	3.111	1.750	1.120	778
Lux	33.250	8.313	3.694	2.078	1.330	924
Lux	122.500	30.625	13.611	7.656	4.900	3.402
Ø (m)	0,28	0,56	0,84	1,12	1,40	1,68



### Optional narrow objective

NO-CP 81 / LW-A1 216 / MC CDM SA/T / ME MSD 250

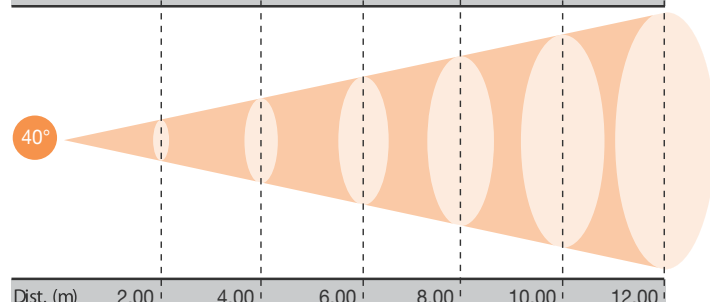
Lux	6.120	1.530	680	383	245	170
Lux	4.851	1.213	539	303	194	135
Lux	5.767	1.442	641	360	231	160
Lux	21.674	5.419	2.408	1.355	867	602
Ø (m)	0,71	1,41	2,12	2,82	3,53	4,24



### Optional wide objective

NO-CP 81 / LW-A1 216 / MC CDM SA/T / ME MSD 250

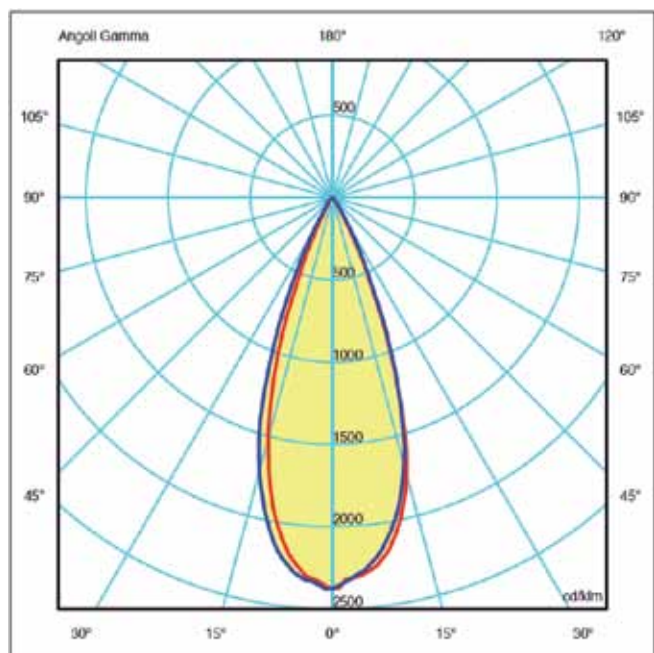
Lux	1.305	326	145	82	52	36
Lux	1.030	258	114	64	41	29
Lux	1.225	306	136	77	49	34
Lux	4.556	1.139	506	285	182	126
Ø (m)	1,46	2,91	4,37	5,82	7,28	8,74



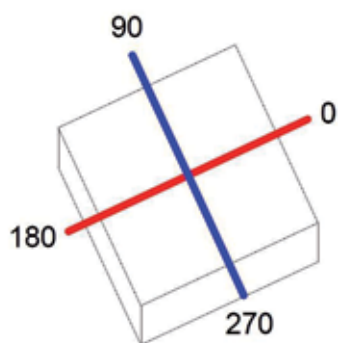
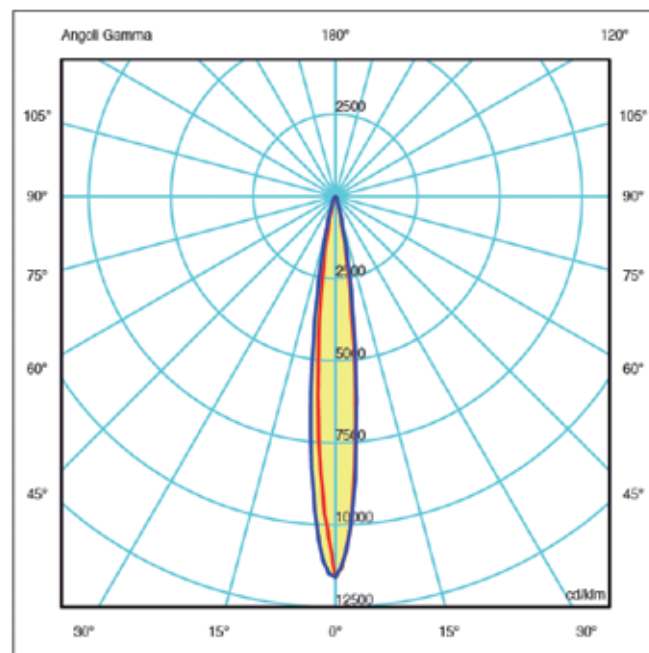
# POLARDIAGRAMS

Polar intensity curves are a different way of representing the same data shown in the Illuminance Cone Diagrams, used in the previous pages of this catalogue. The curves illustrate the distribution of luminous intensity in cd/1000 lm (cd/klm) for the transverse and axial planes of the luminaire and provide a visual guide to the type of distribution expected from the luminaire e.g. wide, narrow, direct, indirect etc, in addition to intensity. All the source data generating these diagrams are available in file-libraries.

## WIDE



## NARROW



180.0 ——— 0.0  
270.0 ——— 90.0

# FILELIBRARIES

IES and LDT data files of the LUCCIOLA, MINI and MIDI ranges are available on request. Please contact Spotlight at [sales@spotlight.it](mailto:sales@spotlight.it)