

THE  
MINI  
RANGE

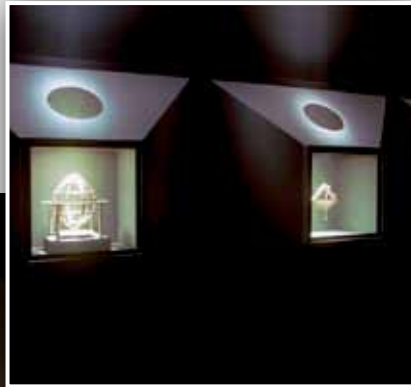


The quality of light, the compact and the unique technological design of the Mini range allow lighting designers to express their creativity to the full by picking out details, creating soft shades, giving depth, contrast and chromatic atmosphere that would be impossible to obtain with more traditional architectural fixtures.

The main models include: miniFresnel, miniPC, miniProfile, miniProfile zoom, miniPAR and miniLED. Each model is manufactured in different versions, depending on your choice of lamp.



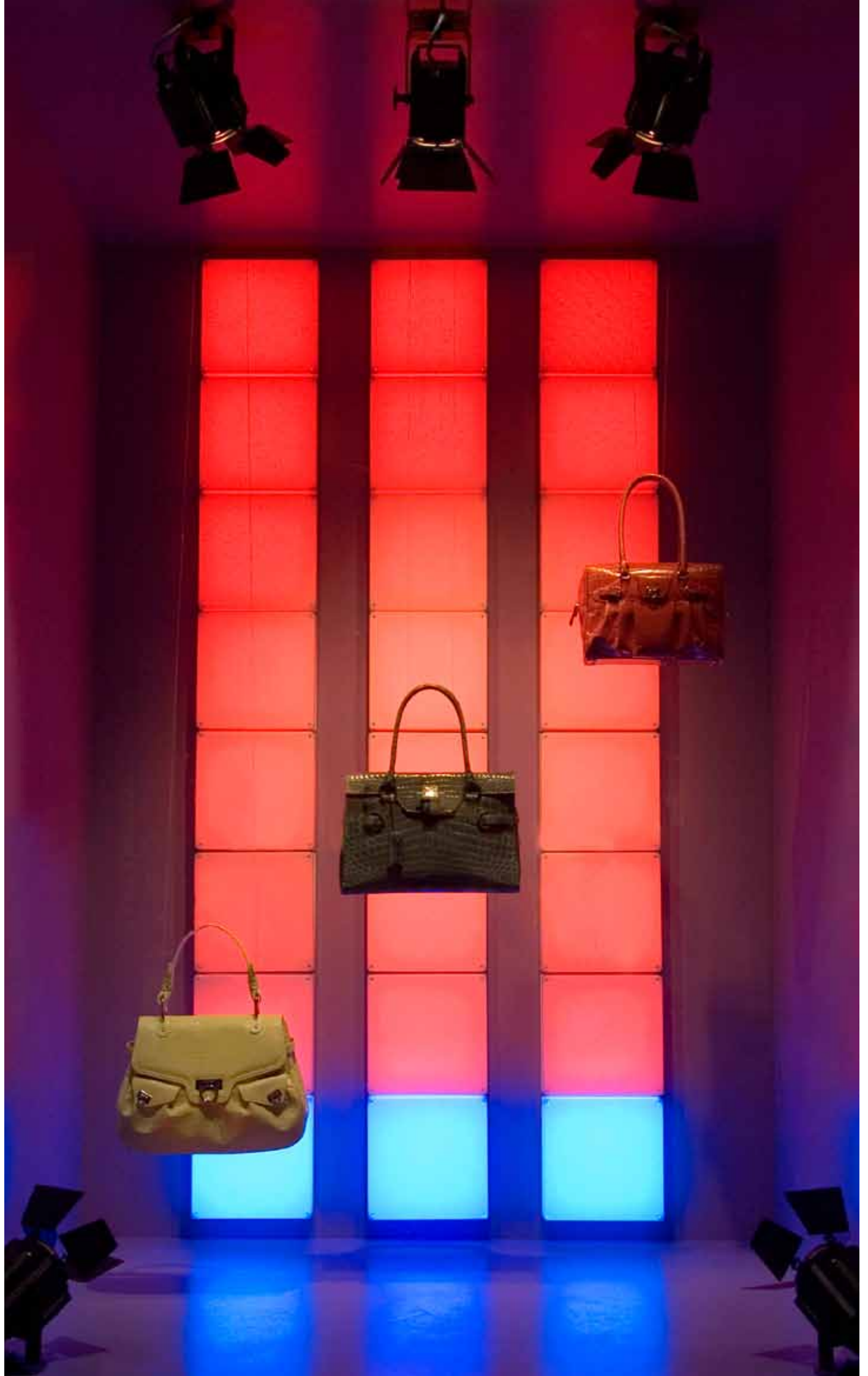
# THE MINI RANGE



Spotlight has always paid attention to the efficiency of its luminaires and now gathers in a special family, called "GREEN LINE", all those LED fixtures that are characterized both by high optical performances and by the real contribution in terms of energy saving, achieved thanks to a specific use of the LED and to the application of "clean technologies" in the luminaires' production.

In particular:

- Greater lighting efficiency with energy saving and lower heat emission
- Long life of the LED source, with lower maintenance costs and waste generation
- Clean light source (no mercury or radioactive components in the LED)
- Almost no generation of dangerous infrared and ultraviolet, to the benefit of the lit up people and objects



# VERSIONS AND LAMPS

## MINI NO:

MI FN NO  
MI PC NO  
MI PR NO  
MI PR ZS NO

Product code	M 38	CP 81	CP 82 (*)
Power (W)	300	300	500
Beam angle (Degr°)	n.a.	n.a.	n.a.
Lampholder base	GY 9.5	GY 9.5	GY 9.5
Luminous flux (Lm)	5.200	7.800	13.500
Avg. rated life (hh)	2.000	180	180
Colour Temperature (°K)	2.950	3.200	3.200
Colour rendering index (Ra)	n.a.	n.a.	n.a.

(\*) non-continuous use

## MINI LW:

MI FN LW  
MI FN LW/CT  
MI PC LW  
MI PC LW/CT  
MI PR LW  
MI PR LW/CT  
MI PR ZS LW  
MI PR ZS LW/CT

Product code	A1 216	A1 223 (*)	JC 20H
Power (W)	150	250	150
Beam angle (Degr°)	n.a.	n.a.	n.a.
Lampholder base	G 6.35	G 6.35	G 6.35
Luminous flux (Lm)	5.200	10.000	3.000
Avg. rated life (hh)	50	50	2.000
Colour Temperature (°K)	3.400	3.400	3.000
Colour rendering index (Ra)	n.a.	n.a.	n.a.

(\*) non-continuous use

## MINI MC:

MI FN MC  
MI FN MC/SBA  
MI PC MC  
MI PC MC/SBA  
MI PR MC  
MI PR MC/SBA  
MI PR ZS MC  
MI PR ZS MC/SBA

Product code	CDM T 150/830	CDM SA/T	CDM T 150/942
Power (W)	150	150	150
Beam angle (Degr°)	n.a.	n.a.	n.a.
Lampholder base	G 12	G 12	G 12
Luminous flux (Lm)	14.000	12.900	12.700
Avg. rated life (hh)	6.000	9.000	6.000
Colour Temperature (°K)	3.000	4.200	4.200
Colour rendering index (Ra)	85	96	96

## MINI MC:

MI FN MC  
MI FN MC/SBA  
MI PC MC  
MI PC MC/SBA  
MI PR MC  
MI PR MC/SBA  
MI PR ZS MC  
MI PR ZS MC/SBA

Product code	HSD 150 W/70	HSD 150 W/UL/75	
Power (W)	150	150	-
Beam angle (Degr°)	n.a.	n.a.	-
Lampholder base	G 12	G 12	-
Luminous flux (Lm)	12.000	11.000	-
Avg. rated life (hh)	3.000	6.000	-
Colour Temperature (°K)	7.000	7.000	-
Colour rendering index (Ra)	85	85	-

## MINI ME:

MI FN ME  
MI FN ME/SBA  
MI PC ME  
MI PC ME/SBA  
MI PR ME  
MI PR ME/SBA  
MI PR ZS ME  
MI PR ZS ME/SBA

Product code	MSR 200	MSD 200	MSD 250
Power (W)	200	200	250
Beam angle (Degr°)	n.a.	n.a.	n.a.
Lampholder base	GY 9.5	GY 9.5	GY 9.5
Luminous flux (Lm)	15.000	13.500	18.000
Avg. rated life (hh)	200	2.000	2.000
Colour Temperature (°K)	5.600	6.000	6.700
Colour rendering index (Ra)	92	80	80

# MINI PC ARCHITECTURAL PLANO CONVEX LUMINAIRES

The miniPC (with Plano-Convex lens) produces a light beam that, compared to the miniFresnel, gives more defined edges and a greater concentration of light when the narrow beam setting is used. The PC spot is normally recommended for use in applications where the area around the object being lit needs to remain completely dark. In addition to window displays and

exhibitions applications, the miniPC is ideal for use in museums and places of worship or in any situation where the contrast between light and shade needs to be more defined. The PC uses the same accessories as the Fresnel such as barn doors and coloured filters. To select the most suitable lamp for particular applications, please see page "versions and lamps".



**MI PC NO halogen** - 230 V

**MI PC LW halogen** - low voltage, for external transformer

**MI PC MC/SBA mastercolour** - for external ballast

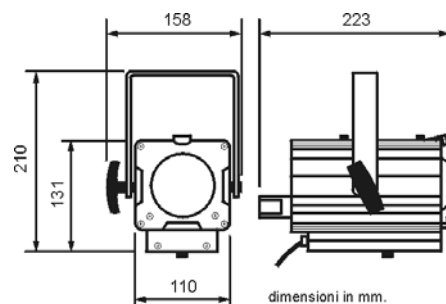
**MI PC ME/SBA MSD/MSR** - for external ballast



Special coating in any color of the RAL range

MI PC NO - MI PC LW - MI PC MC/SBA - MI PC ME/SBA

Net weight Kg 1.6 - Gross weight Kg 1.8 - Box volume m<sup>3</sup> 0.006



**MI PC LW/CT halogen** - 150 W, 24 V with built-in transformer

**MI PC MC mastercolour** - 150 W with built-in ballast

**MI PC ME MSD/MSR** - 200/250 W with built-in ballast

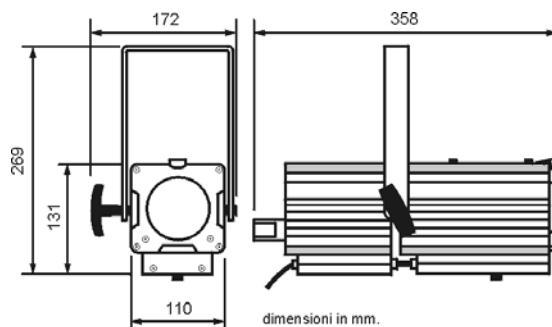


Special coating in any color of the RAL range

MI PC LW/CT Net weight Kg 5.6 - Gross weight Kg 6.0 - Box volume m<sup>3</sup> 0.013

MI PC MC Net weight Kg 4.5 - Gross weight Kg 4.9 - Box volume m<sup>3</sup> 0.013

MI PC ME Net weight Kg 5.9 - Gross weight Kg 6.3 - Box volume m<sup>3</sup> 0.013



# TECHNICAL FEATURES

- Variable beam: 6.5°-57°
- Extruded aluminium and steel housing
- Filter-frame locking system
- Yoke with 10 mm diameter hole, reversible for use in any position
- Heat insulated knobs and handles
- Easy focus adjustment by sliding knob
- Anti scratch Epoxy resin paint (standard black)
- 1.5 m power supply cable (plug available on request)
- Standard 230 V or 24 V power supply (others on request)
- Strain relief cable clamp
- Access for lamp maintenance via removable top cover
- 90 mm diameter plano-convex lens
- Spherical reflector of 99.99% polished and treated aluminium
- Compliant to with CE EN 60598-2

## Information for ordering accessories and different versions

### Item

• miniPC halogen 300 W, 230 V	MI PC NO
• miniPC halogen 150 W, 24 V (with built-in transformer, 230 V)	MI PC LW/CT
• miniPC halogen low voltage for external transformer	MI PC LW
• miniPC Mastercolour 150 W, 230 V	MI PC MC
• miniPC Mastercolour 150 W, for external ballast	MI PC MC/SBA
• miniPC MSD/MSR 200/250 W, 230 V	MI PC ME
• miniPC MSD/MSR 200/250 W, for external ballast	MI PC ME/SBA

### Accessories

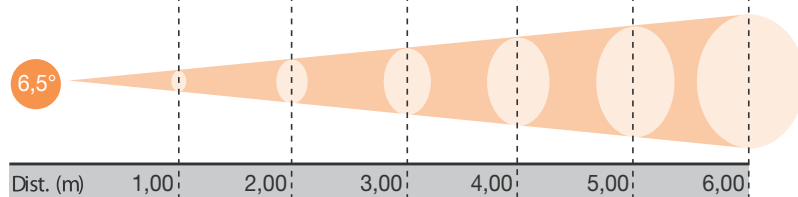
• Colour filter frame	TC MINI
• 4-leaf barn-door	PL 4 MINI
• Motorized colour wheel	RM MINI
• Hook for mini trusses	MINI GAC
• Floor/wall mounting base	BASE-Q122-AS
• External transformer 150 W 24 V for MI FN LW	TR ES 150/24
• External electronic ballast for MI FN MC/SBA	BE ES MC 150
• External electronic ballast for MI FN ME/SBA	BE ES ME 250

### Options

• 100-120 V mains voltage	on request
• Non standard paint finish	on request
• Mounting on mains voltage tracks	on request

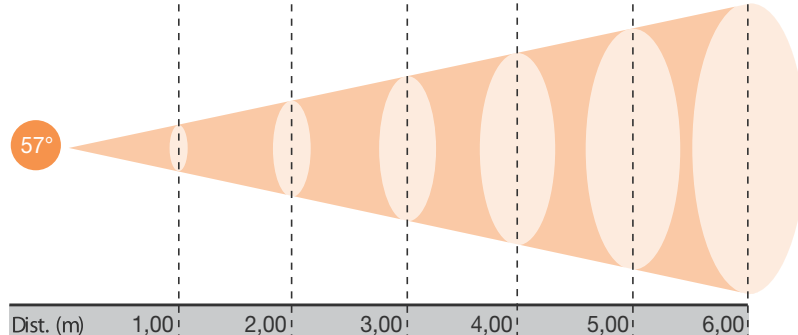
NO-CP 81 / LW-A1 216 / MC-CDM SA/T / ME-MSD 250

Lux	38.231	9.558	4.248	2.389	1.529	1.062
Lux	27.954	6.989	3.106	1.747	1.118	777
Lux	38.718	9.680	4.302	2.420	1.549	1.076
Lux	93.465	23.366	10.385	5.842	3.739	2.596
Ø (m)	0,11	0,23	0,34	0,45	0,57	0,68



NO-CP 81 / LW-A1 216 / MC-CDM SA/T / ME-MSD 250

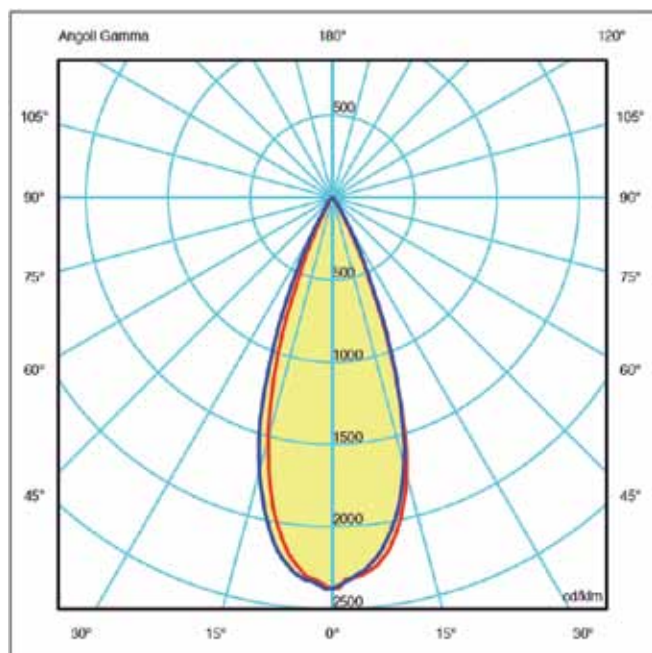
Lux	3.987	997	443	249	159	111
Lux	2.421	605	269	151	97	67
Lux	4.300	1.075	478	269	172	119
Lux	6.888	1.722	765	430	276	191
Ø (m)	1,09	2,17	3,26	4,34	5,43	6,52



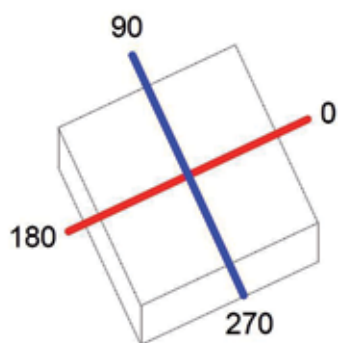
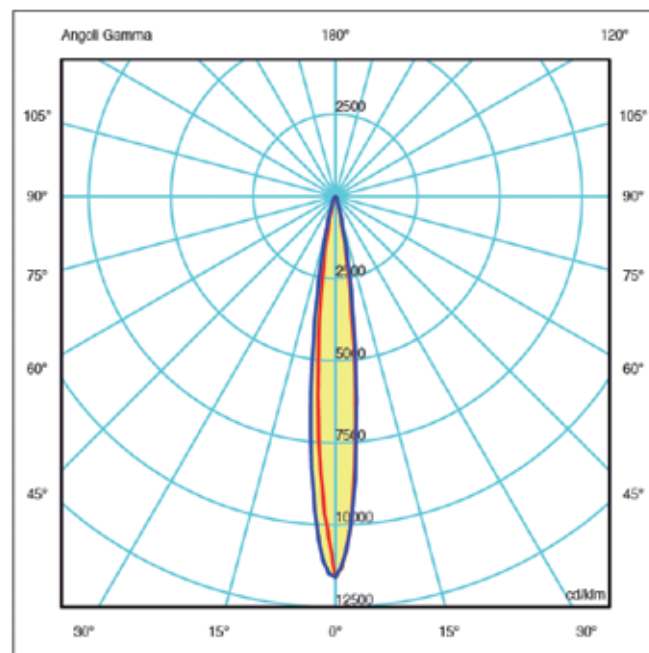
# POLARDIAGRAMS

Polar intensity curves are a different way of representing the same data shown in the Illuminance Cone Diagrams, used in the previous pages of this catalogue. The curves illustrate the distribution of luminous intensity in cd/1000 lm (cd/klm) for the transverse and axial planes of the luminaire and provide a visual guide to the type of distribution expected from the luminaire e.g. wide, narrow, direct, indirect etc, in addition to intensity. All the source data generating these diagrams are available in file-libraries.

## WIDE



## NARROW



180.0 ——— 0.0  
270.0 ——— 90.0

# FILELIBRARIES

IES and LDT data files of the LUCCIOLA, MINI and MIDI ranges are available on request. Please contact Spotlight at [sales@spotlight.it](mailto:sales@spotlight.it)