

VD LED 450 WW DMX

The light output of 2kW followspot in the dimensions of 1kW luminaire using only 450W of energy



VD LED 450 WW DMX

- Zoom from 8° to 19° and 330.000 cd intensity for long distances projections
- Very smooth dimming from 0,0% to 100%
- Warm White 3200K LED (other colour temperatures on request)

TECHNICAL SPECIFICATIONS



ENTERTAINMENT



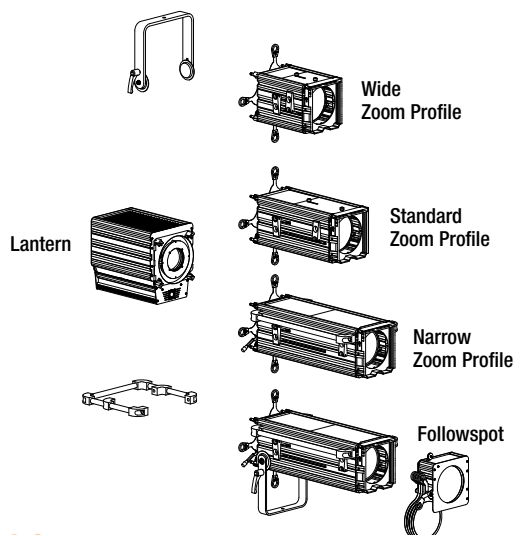
ARCHITECTURAL



GREENLINE

- | | |
|---|---|
| <input type="checkbox"/> Halogen, Mains | <input checked="" type="checkbox"/> LED White |
| <input type="checkbox"/> Halogen, Low Voltage | <input type="checkbox"/> LED Tunable White |
| <input type="checkbox"/> Discharge | <input type="checkbox"/> LED RGB |
| | <input type="checkbox"/> LED RGBW |

Modular lantern accepting different front zoom optics up to 44° beam spread



All the world is a stage.



VD LED 450 WW DMX



FIXTURE MAIN FEATURES

- ✓ Iris diaphragm with black out
- ✓ 4 independent shutters for shaping the beam
- ✓ slot for B gobo projections
- ✓ Cold beam for longer life of colour filters
- ✓ 8 and 16 bit DMX control for ultra smooth dimming since the lowest levels
- ✓ RDM function for faster set up and complete control

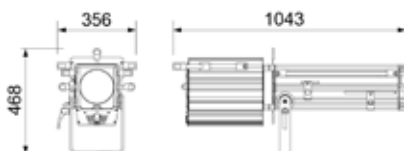
LED SYSTEM MAIN FEATURES

- ✓ High colour rendering: CRI >95
- ✓ Extra long life (30.0000h): no burning of lamp during the show
- ✓ Strobe function with frequency control
- ✓ Adjustable PWM output to avoid flickering in TV cameras
- ✓ Real time control of LED working temperature through adjustable speed fan and LED current check
- ✓ Silent working function set up
- ✓ Ambient Working temperature -20° +40°C

ACCESSORIES

- Manual colour changer with automatic release of the previous colour
- B size gobo holder
- Adjustable stand

DIMENSIONS (mm)



PHOTOMETRIC DATA (★)

Lux	13.211	3.303	1.468	826	528
∅ (m)	0,7	1,5	2,2	2,9	3,7
8°					
	Dist. (m)	5	10	15	20

Lux	5.214	1.304	579	326	209
∅ (m)	1,7	3,3	5,0	6,7	8,4
19°					
	Dist. (m)	5,0	10,0	15,0	20,0

(★) (performance according to LED available on July 2016)

ELECTRICAL SPECIFICATIONS

500W 100-240V 50/60Hz